



## PRIME DUAL SHOWER SET

### DETAILS

**PRODUCT CODE**

PRMDSS

**INCLUSIONS**

Fixing Kit

**INSTALLATION TYPE**

Wall Mount

**MATERIAL**

316 Grade Stainless Steel

**PRODUCT SERIES**

Prime

**WELS RATING**

3 STAR 8 LPM - HS, 4 STAR 7 LPM - OS

**WARRANTIES**

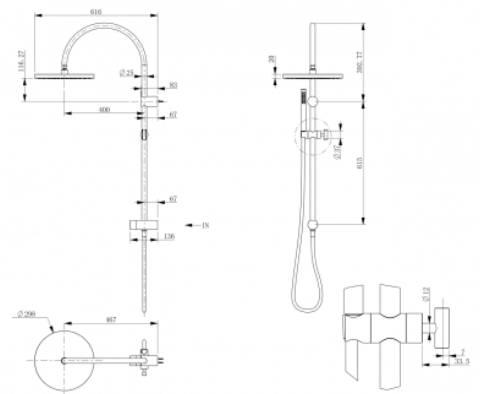
25 Years

**DESCRIPTION**

WELS Registration no.S18176

**NOTES**

Top or Bottom water inlet position



### FINISHES

Satin Black (SBL)

Satin Stainless Steel (SSS)

Gun Metal (GM)

### CERTIFICATIONS

